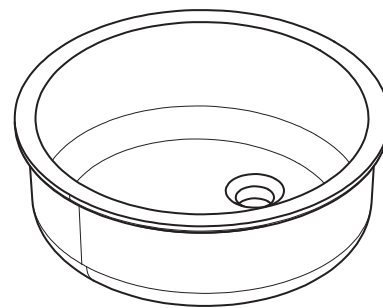
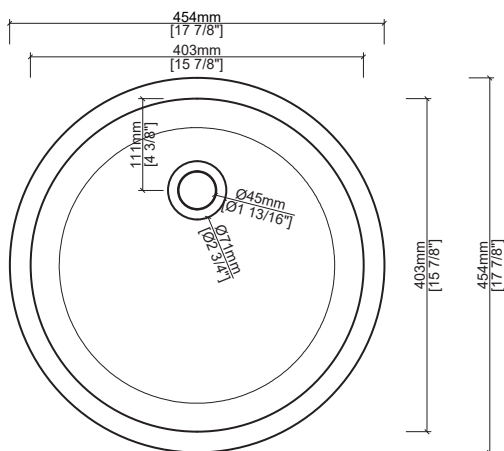
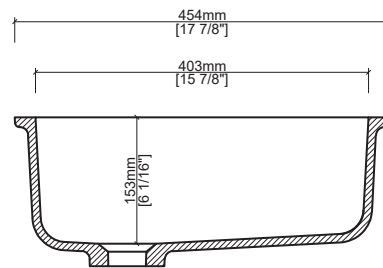
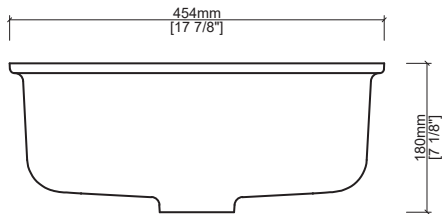




Durasein® Sink & Bowl Information

NAME
THE SALVADOR
MODEL
RLA351
TOLERANCE
±5MM





Durasein®

Sink & Bowl Information

MODEL
RLA351

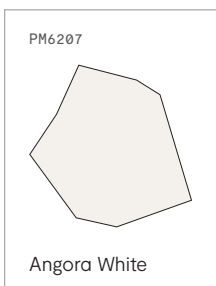
Features & Benefits

- 100% acrylic
- Easy to clean
- Non-porous
- Stain resistant
- Mold & mildew resistant
- Suitable for residential & commercial applications
- Overflow : None

Installation Tips

- Undermount
- No tap holes
- Drain assembly not included
- Drain hole size: 45mm

Available Colors



Color shown may vary from actual product. Request sample prior to product selection. We'd love to create something a little more custom for you, longer lead times with minimum order quantity applies.

Codes/Standards/Tech Info

- Durasein sinks and bowls are CE compliant
- All dimensions are nominal
- Details and specifications are subject to change

Internal Dimensions

- Length 403mm
- Width 403mm
- Height 153mm

Durasein® Limited Warranty

- 10 year limited warranty against manufacturing defects under normal use

See website for detailed warranty information. Durasein reserves the right to make reservations without notice to product specifications. For the most current information, visit durasein.com.